

MAGNETIC SPOTLIGHT MODULE

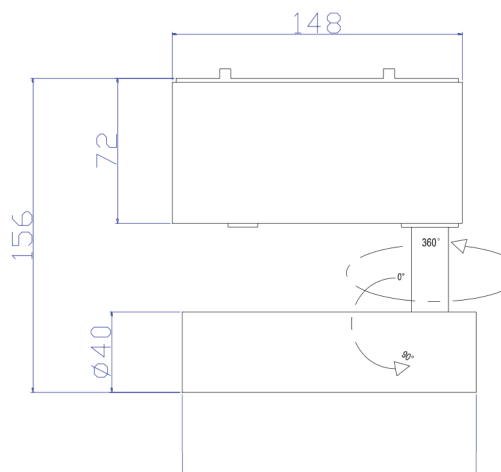
TECHNICAL SHEET
DV-SP-4010



KEYLIGHT

SPAIN
PRODUCTOS DE ILUMINACION

DRAWING



SPECIFICATIONS

Product Code	DV-SP-4010
Input Current	48VDC
Driver	Input: DC48V Output: 27-43V 250MA
Beam Angle	15°/24°/38°
Power	10W
Lamp Holder	Aluminum PC
Color Temperature	3000/4000/6000k
Installation	Magnetic
IP Rating	IP20
Dimensions	156mm*40mm*150mm